

ATHLETICS (TRACK & FIELD)

2021 GENERAL RULES

The Official Special Olympics Sports Rules shall govern all Special Olympics athletics competitions. As an international sports program, Special Olympics has created these rules based upon Internationale Amateur Athletic Federation (IAAF) and National Governing Body (NGB) rules for athletics. IAAF or National Governing Body rules shall be employed except when they are in conflict with the Official Special Olympics Sports Rules. For more information, visit www.iaaf.org.

DEVELOPMENTAL EVENTS

- | | |
|------------------------|---|
| 1. 50m Walk* | 7. 25m Non-Motorized Wheelchair* |
| 2. 50m Run* | 8. 30m Non-Motorized Wheelchair Slalom* |
| 3. 25m Walk* | 9. 30m Motor Wheelchair Slalom* |
| 4. 25m Run* | 10. 25m Motor Wheelchair Obstacle Course* |
| 5. Standing Long Jump* | 11. 50m Motor Wheelchair Slalom* |
6. Softball Throw* (Athletes throwing over 15m should compete in the mini jav; athletes who have thrown more than 20m in a SOWI competition will be ineligible to participate in softball throw following that season.)

***These events with an asterisk are considered developmental events and provide meaningful competition for athletes with lower ability levels and are not meant to be paired with other events (except field events) when entering athletes in competition.**

OFFICIAL EVENTS OFFERED

- | | |
|------------------------------|--|
| 1. 100, 200, 400m, 800m Run | 4. Mini Jav (cannot participate in softball throw) |
| 2. 100, 200, 400m, 800m Walk | 5. 100, 200m Non-Motorized Wheelchair |
| 3. Running Long Jump | |

EVENT CATEGORIES

IMPORTANT: Athletes will participate in four events from one category (see chart below). Two track events and two field events. Category B, wheelchair events will choose three track events and one field events. Motorized wheelchair athletes may not enter non-motorized events (and vice versa). Bicycles or tricycles (i.e. gear/pedal-powered vehicles) are not legal in wheelchair competition.

**** Coaches & Athletes choose one category (A, B, C, or D) and pick four events within that category.**

***** Athletes participating in walking events compete in only walking events, athletes participating in running events compete in only running events.**

CATEGORY	EVENTS SELECTION
Category A	<ul style="list-style-type: none"> • Running: 25m, 50m • Walking: 25m , 50m • Pick 1: Standing long jump or running long jump • Pick 1: Mini Jav or Softball Throw
Category B	<ul style="list-style-type: none"> • Pick 3: Wheelchair Events • Pick 1: Mini Jav or Softball Throw
Category C Long Distance	<ul style="list-style-type: none"> • Walking: 400m, 800m • Running: 400m, 800m • Pick 1: Standing long jump or running long jump • Pick 1: Mini Jav or Softball Throw

Category D Short Distance	<ul style="list-style-type: none"> • Walking: 100m, 200m • Running: 100m, 200m • Pick 1: Standing long jump or running long jump • Pick 1: Mini Jav or Softball Throw
------------------------------	---

COVID RULES CHANGE/MEET SETUP

In-Person Regional Competition: The district competition will be run regionally, as a stationed meet. Athletes will move through the meet by alternating between track and field events. See example diagram below, each region may have a different layout for field events but will have the same stations. Each athlete participates in a category and will do two track events and two field events, with the exception of the wheelchair races. Multiple categories may be at one station.

Meet Set-Up : Category B (Wheelchair Events) start the meet then Category A & D go through all the stations, next Category C will end the meet.

Station 1: Category A: 25m Run/Walk & Category C: 100m Run/Walk

Station 2: Turbo Jav & Softball Throw

Station 3: Category A: 50m Run/Walk & Category C: 200m Run/Walk

Station 4: Standing Long Jump & Running Long Jump

Each regional director will send out a venue listing or map of where each station is.

2021 REGIONAL ATHLETICS COMPETITIONS – Important Dates

Region	EVENT ENTRY DEADLINE	LOCATION	EVENT DATE
2	April 28	Merrill	May 15
3	April 21	Chippewa Falls	May 8
4 & 5	TBD	TBD	TBD
6	April 21	Edgerton	May 9
7	April 28	Racine	May 15
8	April 28	Mukwonago	May 15

In-Practice Competition: A virtual meet so that everyone can be involved! Participate in events from a category and compete against athletes across the state!

April 21st – Event Entry Registration & Qualifying Scores Due

May 9th – Final Scores Due

State Competition: Advance from the in-person district competition to the statewide meet.

Entry Deadline	Location		Scratch Deadline*	Event Date
June 7	Appleton	Lawrence University	June 11	June 26

SECTION A – GENERAL RULES AND MODIFICATIONS

1. Athlete Attire
 - a. In all events, competitors must wear athletic clothing including an athletic shirt, shorts or sweatpants and athletic shoes. The clothing must be made of a material which is non-transparent even if wet. Objectionable items include, but are not limited to, denim jeans, slacks, skirts or dresses, or any clothing not intended to be worn for sports competition. The only exceptions allowed will be for religious reasons which must be submitted on a “Special Needs” form with the athlete’s registration materials by the tournament registration deadline. **No hats or head coverings may be worn during competition.** The only exceptions allowed will be for medical reasons which must be submitted on a Special Needs form and accompanied by a doctor’s note with the athlete’s registration materials by the tournament registration deadline.
 - b. Athletes may compete in shoes with spikes provided the host facility allows spikes. Check with the competition organizing committee on the maximum length of spikes allowed.

2. Running Events
 - a. False starts – a runner is allowed one false start in SOWI athletics competition.
 - b. In races up to and including the 400m, the athletes have the option of using or not using starting blocks. The start command shall be “on your marks”, “set” and when all competitors are set, the gun shall fire. Athletes wishing to use blocks must provide their own and have a Special Needs Form submitted by the tournament registration deadline.
 - c. 200m/400m races will use staggered starts and racers stay in their lanes for the duration of the race.
 - d. In 800m race, the start command shall be “on your marks” and when all the competitors are steady, the gun shall fire. A competitor shall not touch the ground with his or her hands.
 - e. The 800m race will use a staggered start and racers may break into inside lanes after the first curve if they do not impede or obstruct another runner’s stride.
 - f. All races up to, and including, the 100m shall be run on a “straight-away” on a regular 400m track.
 - g. All runners shall start from behind the start line. A runner completes the race when his or her torso crosses the finish line.

3. Race Walking
 - a. The 100m, 200m, 400m, 800m, race walking events may be held off-track.
 - b. Athletes must have one foot in touch with the ground at all times.
 - c. In all race walking events, an athlete does not have to have a straight support leg while competing.
 - d. In race walking events up to, the 400m, the competitor shall be disqualified with no prior warning when, in the opinion of two or more officials, an advantage has been gained.
 - e. Athletes who require use of a mobility device (i.e. crutches, walkers, etc.) in order to walk may utilize the device while competing as long as an advantage is not gained by use of the device.

4. Long Jump

- a. In order to legally and safely participate in the long jump, an athlete must be able to jump at least 1m (which is the maximum distance between the takeoff board and the sand pit). The takeoff board may be set anywhere from the front edge of the sandpit up to 1 meter in front of it. Athletes who are unable to complete a jump at the minimum starting distance are ineligible to advance to the next level of competition.
- b. A jump is measured in meters from the front of the toe board (end of board nearest the pit) to the closest impression in the sand made by any part of the body including arms or hands. The front of the toe board is 1m from the landing pit and the toe board or taped representation (solid taped area) of the board must be 20cm (8") long and the width of the runway.
- c. Each competitor shall be allowed three non-consecutive jumps. The athlete's best jump shall be used for scoring.
- d. All legal jumps shall be measured and recorded for the purpose of breaking ties.
- e. Prior to competition, athletes may have assistance from an official to mark their take-off mark.
- f. Practice run-throughs are at the discretion of the event manager.

5. Standing Long Jump

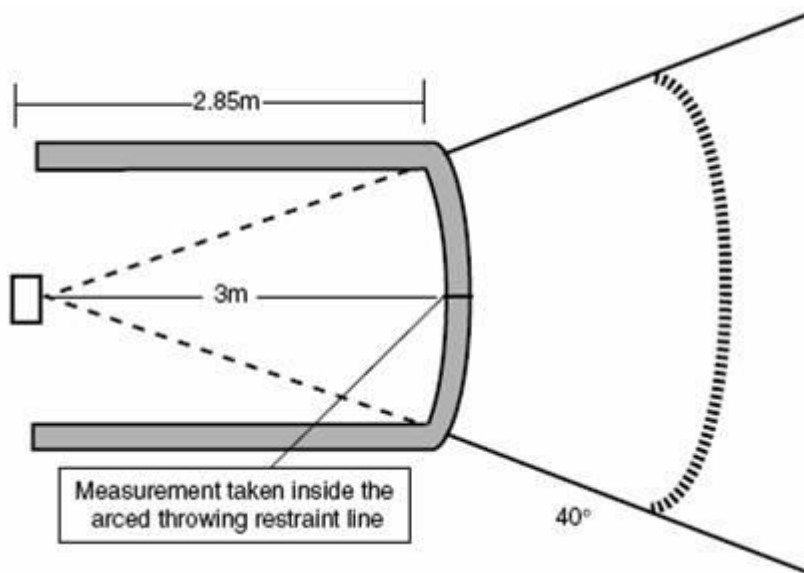
- a. Competitors shall start with both feet on a designated take-off line.
- b. When starting, competitor's toes shall be behind the edge of the sand pit, which will be on a solid surface.
- c. The standing long jump shall be held using the running long jump's sand pit for a landing area.
- d. A competitor shall use both feet on the take-off. He/she may rock backward and forward lifting his/her heels and toes alternately, but he/she may not lift either foot clear off the ground.
- e. Each competitor shall be allowed three non-consecutive jumps. The athlete's best jump will be used for scoring.
 - 1) Distance will be measured in meters from the closest impression on the landing area made by any part of the body including arms or hands to the take-off line.
 - 2) Prior to competition, athletes may have assistance from an official to mark their take-off mark.
- e. Practice run-throughs are allowed at the discretion of the event manager.

6. Softball Throw

NOTE: Athletes competing in the softball throw may not compete in mini jav or shot put.

- a. A 30cm (11 3/4") in circumference softball shall be used.
- b. Competitors may use any type of throw. The same throwing motion must be used for qualifying and final throws. Maximum approach distance will be 3m beyond the back of the throwing box.
- c. The throwing area should be set up as follows:

- 1) Mark off two parallel lines which are 2.85m in length with each of the ends being 2 m apart. At the back end of the throwing area, place a mark 0.10 inch in length directly in the middle of the two end lines. (This is your pull-through point for measurement.) From this mark, extend an imaginary parallel line out three meters, mark this point, and draw an arc connecting both sidelines which intersect this point. The ball must land within a sector determined by a 40-degree angle emanating from the center of the back line. Extend two lines out which intersect both points where the arc meets the sidelines.



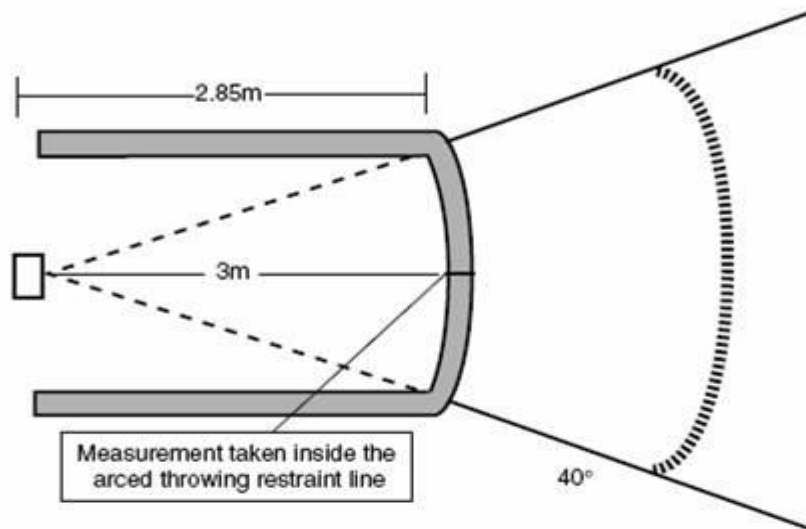
- d. Each competitor shall be allowed three non-consecutive throws. The longest measurement of the three throws will be used for scoring. Throws will be measured in meters from the inner edge of the arced-throwing restraining line.
- e. The measurement of each throw shall be made from where the ball first touched the ground to the inside edge of the arc.
- f. It is counted as a foul if the competitor:
 - i. Does not throw the softball so that it initially lands completely within the inner edges of the landing sector lines.
 - ii. 3.2.7.6.2 Where the competitor touches with any part of the body the arc as marked, or any ground beyond the arc or throwing box.

7. Mini Jav

NOTE: SOWI mini jav rules are local to Wisconsin and do not follow Special Olympics, Inc. or IAAF rules for the mini-javelin.

- a. A 300 gram mini jav may only be used for athletes 15 and under (weight standards are minimum). A 500 gram mini javelin must be used for athletes 16 and older (weight standards are minimum). An athlete may throw a heavier mini jav than the minimum if they choose. Mini javelins are available by contacting MF Athletics at www.everythingtrackandfield.com.
- b. Only one thrower should be on the approach area at a time.

- c. The mini jav must be held by the grip with the point facing forward.
- d. The mini jav must be thrown using an over-hand throwing motion of the throwing arm.
- e. The thrower may not use a 360-degree turn of their body during their approach. Each thrower is allowed three non consecutive throws. Each fair throw must be measured and the longest measurement of the three throws will be used for scoring. Throws will be measured in meters from the inner edge of the arced-throwing restraining line. Measurement of all legal throws is required for the purpose of breaking ties.
- f. A thrower is allowed one minute to initiate a trial after their name is called.
- g. The mini jav must land nose first. Otherwise, the throw shall be called a foul and thus not measured.
- h. The thrower must throw the mini jav within the 40-degree sector lines. If the mini jav lands outside the sector lines, the throw will be called a foul and thus not measured.
- i. During their approach, the thrower may not step on or over the side lines or the foul line.
- j. After their throw the athlete must wait for the mini jav to land and the official to announce MARK or FOUL before exiting to the rear of the approach.
- k. The throwing area should be set up as follows:
 - 1) Mark off two parallel lines which are 2.85m in length with each of the ends being 2m apart. At the back end of the throwing area, place a mark 0.10 in length directly in the middle of the two end lines. (This is your pull-through point for measurement.) From this mark, extend an imaginary parallel line out 3m, mark this point, and draw an arc connecting both sidelines which intersect this point. The mini jav must land within a sector determined by a 40-degree angle emanating from the center of the back line. Extend two lines out which intersect both points where the arc meets the sidelines.

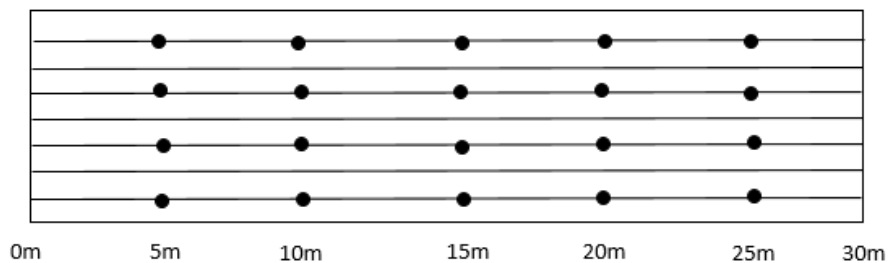


8. Blind and Deaf Athletes

- a. A rope or bell may be provided to assist athletes who are visually impaired. A tap start may be used only for an athlete who is both deaf and blind. A sighted guide may not pull or prompt the athlete in any manner. **NOTE:** The need for a sighted guide must be noted on a SOWI Special Needs Form that is submitted by the tournament registration deadline.

SECTION B – RULES FOR NON-MOTORIZED WHEELCHAIR EVENTS

1. To qualify to compete in wheelchair events, the athlete must require use of a wheelchair for every day movement.
2. Athletes shall start with the first two wheels behind the start line plane.
3. Motorized wheelchairs shall not be allowed in regular wheelchair races.
4. Only athletes who ambulate by use of a non-motorized wheelchair may participate in these events.
5. Athletes shall not be pushed, pulled or otherwise assisted during these events.
6. Bicycles, tricycles or similar vehicles powered via chain-driven propulsion are not legal wheelchairs and will not be allowed entry into non-motorized wheelchair competition.
7. The lanes for the wheelchair events shall be made two track-lanes wide.
8. 25m Non-Motorized Wheelchair Race
 - a. Competitors start with the first two wheels behind the start line plane.
 - b. A competitor completes the race when the leading wheels cross the finish line plane.
 - c. Each competitor must keep in his/her lane from start to finish and may not interfere, obstruct or impede the progress of another competitor. Infractions, at the discretion of the judges, may result in disqualification.
9. 30m Non-Motorized Wheelchair Slalom
 - a. The slalom race shall consist of competitors maneuvering through five cones. Beginning at the start line, place one cone in each lane at five-meter intervals. Cones should be placed in the middle of the lanes. Competitors must go in between all cones or be disqualified.
 - b. No penalty will be incurred by touching a cone. Knocking down or displacing a cone constitutes a violation and a three-second penalty will be assessed per infraction.



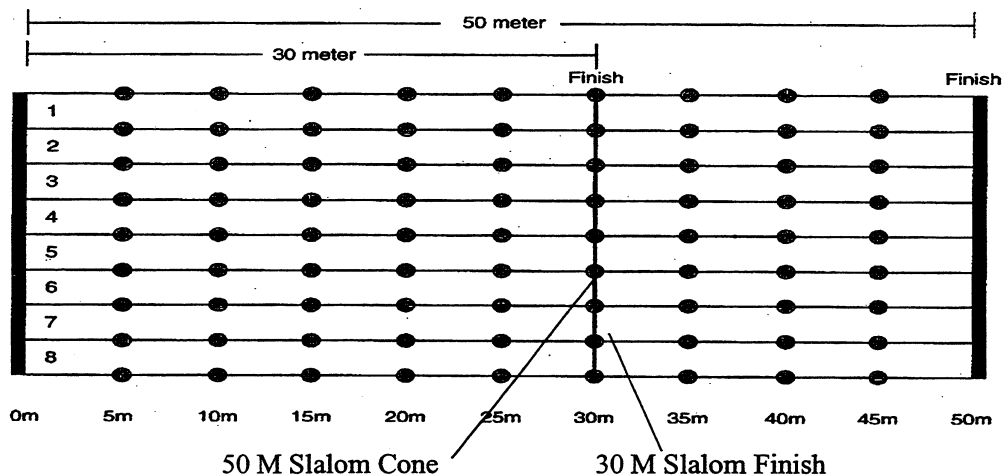
SECTION C – GENERAL RULES FOR MOTORIZED WHEELCHAIR EVENTS

1. To qualify to compete in wheelchair events, the athlete must require the use of a wheelchair for every day movement.
2. These events are restricted to motorized wheelchairs only. Bicycles, tricycles, etc. are not legal wheelchairs (see non-motorized section).
3. The leading wheels on each competitor's wheelchair will be regarded as the starting and finishing points of all races.

4. Competitors start with the first two wheels behind the start line plane.
5. If a competitor varies from a sequence of obstacles, he/she must, without notice from any official, resume progress at the point prior to the incorrectly passed obstacle before entering the next obstacle and complete the course in its entirety, or be disqualified. In essence, failure to complete the course as designed will result in disqualification.
6. A competitor will be disqualified if that individual's coach (or assistants) enters the course boundaries during the running of the obstacle course. Coaches may instruct from outside the marked boundaries of the course. Judges and officials will not give directional cues.
7. 30m Motorized Wheelchair Slalom

a. Rules

- 1) The athlete begins slalom with the leading wheels of the wheelchair behind the start line.
- 2) The athlete starts slalom at the sound of the starter's gun.
- 3) The athlete maneuvers his/her chair through the course and across the finish line without touching the cones or impeding another athlete on the course.
- 4) Cones are placed 5m apart with the first cone placed 5m from the starting line.
- 5) Knocking down or displacing a cone constitutes a violation and a three-second penalty will be assessed per infraction.



b. Score

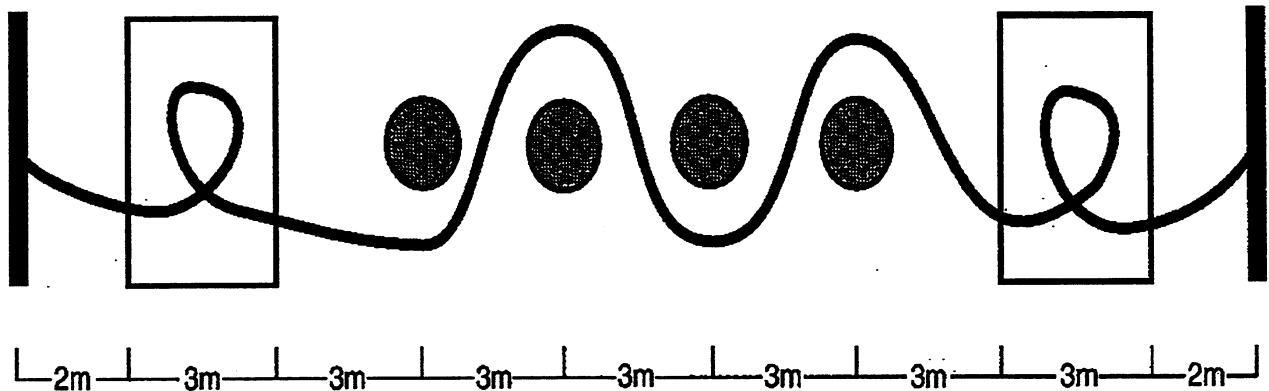
- 1) The athlete is timed from the sound of the starter's gun to when the leading wheels on the motorized wheelchair cross the plane of the finish line.
- 2) No penalty will be incurred as a result of touching a cone. Knocking down or displacing a cone constitutes a violation and one three-second penalty will be assessed per infraction.
- 3) If a tie exists, a run-off will be held between the tied competitors.

8. 25m Motorized Wheelchair Obstacle Course

a. Rules

- 1) The athlete starts facing the course.

- 2) When inside or near the box, the athlete in the wheelchair completes a 360-degree circle. The athlete is not deducted any points or time for touching the lines on the box. The box is only an indicator for the athlete to do a complete circle with his/her wheelchair.
- 3) After the 360-degree circle is completed, the athlete weaves in and out of cones set at three meters apart, and then enters the second turning box.
- 4) The athlete completes a 360-degree circle near or within the box, and then continues forward to the finish line.
- 5) The box (three meters in diameter) is used only as an indicator for the athlete to complete a 360-degree circle between either the starting line and the first cone, or the third cone and the finish line. The box can be outlined with tape or chalk.
- 6) There will be no penalties if an athlete strikes a cone or knocks over a cone. However, it is up to the official to determine that the athlete was making an honest effort to go around the cones, and not drive over the cones in a straight-line pattern. If it is determined that the athlete drove his/her wheelchair over the cone without an effort to go around, that athlete shall be disqualified.
- 7) There shall be no more than three athletes per race.



b. Score

- 1) Time is started when the starter's gun is sounded, and is stopped when the leading wheels of the wheelchair cross the finish line.

ATHLETICS COMPETITION SCHEDULE CONFLICT POLICY

If an athlete competing in athletics has a scheduling conflict in two of the events they are entered in, the following policy and procedure shall apply:

Track events shall take precedent over field events. The athlete will report when called to report to the track staging area. The athlete's coach or their designee shall report to the field event staging area that the athlete is in a track event and will report to the field event as soon as the track event is completed. The athlete upon completion of the race will report immediately to the field event staging area without waiting to receive their track event award. The athlete's coach or their designee shall inform the track award station that the athlete will return to receive their award as soon as they complete their field event.

If there is a scheduling conflict for the athlete in two field events, then the athlete shall report to one of the field event staging areas when called to report for staging and the athlete's coach and/or designee shall inform the other field event staging area that the athlete has a scheduling conflict and will report as soon as their field event trials are completed. The athlete will forego the award ceremony as stated in the previous procedure (#1).

A division of athletes shall not be held in the staging area for more than 30 minutes from when the division was called to report. If an athlete is missing from a division due to a scheduling conflict, the athlete must report back to the staging area within 30 minutes of their event being called to report. Should the athlete fail to report within the 30-minute hold period, the division shall be released to compete in the event with the missing athlete receiving a scratch for each missed attempt. The athletes in a division shall each make an attempt in the order they are listed on the division card. If when it is the turn of the missing athlete to make an attempt and they have not reported, that attempt will be recorded as a scratch. Missed attempts cannot be made up.

A division of athletes in a field event may be sent to compete with an athlete missing due to a scheduling conflict. If the missing athlete has not returned by the time the awards area is ready to present awards to the division, the awards area shall present the awards based on the results in hand. Should the missing athlete return to compete within the previous listed parameters, the athlete shall have their final score compared against the rest of the athletes within the division and the athlete shall receive the place based on the comparison. The awards presented previous to the return of the missing athlete shall not be affected by the missing athlete's award position (place). Should there be a duplication of final awards places (i.e. two first places awarded, two second places awarded, etc.) within the division, the official awards entry shall list it as a tie event though the scores do not match.